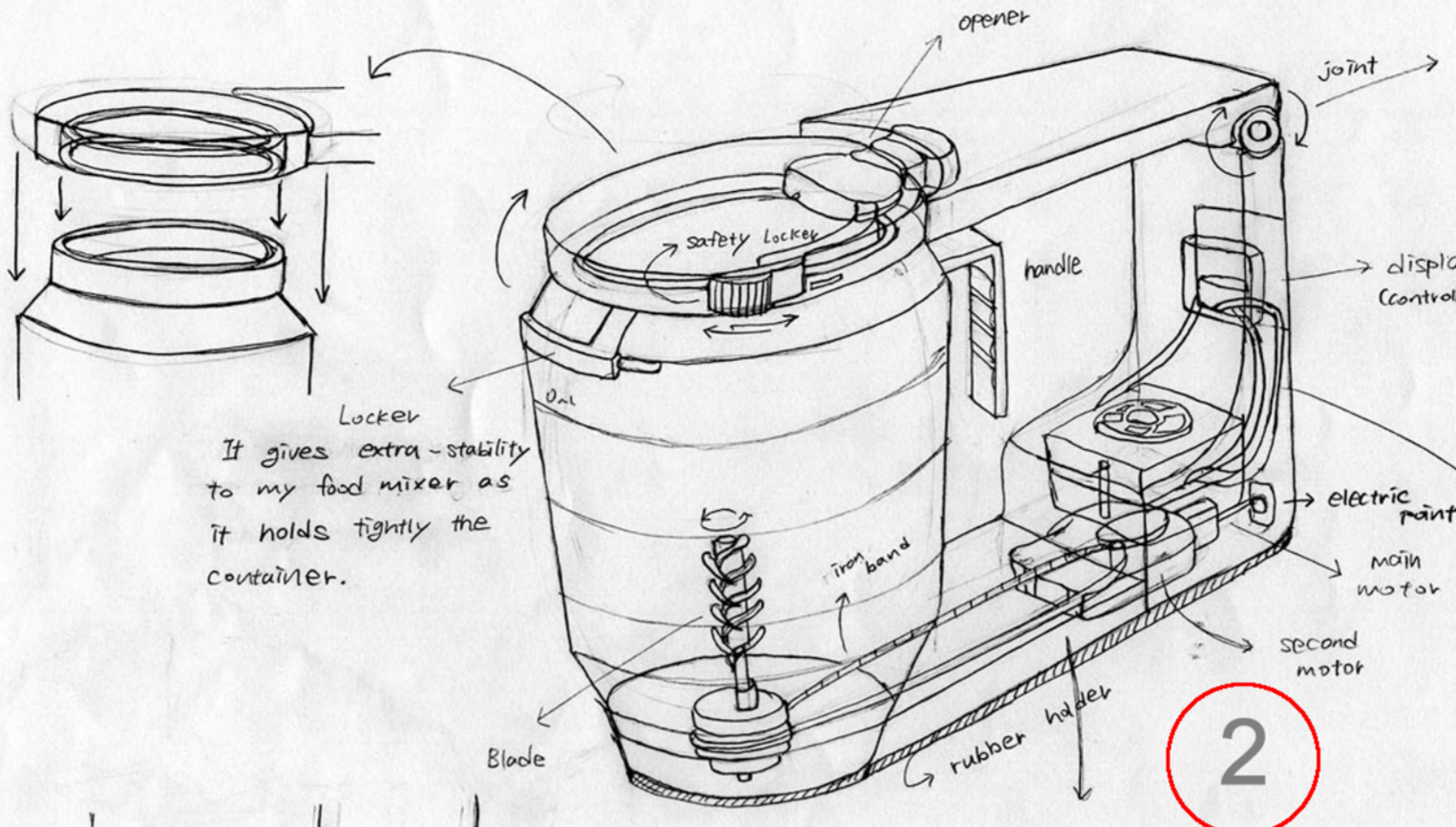




This is a picture of inside food processor. It will process the food in works. The processor will be connected to the power outlet and motor. The wire button as a trigger of electronic. Once the food processor got the electricity, it turns the party. As it goes, the wire will connected it back to the side of the party of the with the blade, resulting of food mixer. In the design, I have a traditional advantage of using it to use can make more time in other food mixer. It is more easier to use. The other advantage is to make the party. In the design, I would say it is suitable for the kitchen of restaurant. I consider the safety, the food processor must be secure than just one to think over the small the size and safety automatic switch.

1



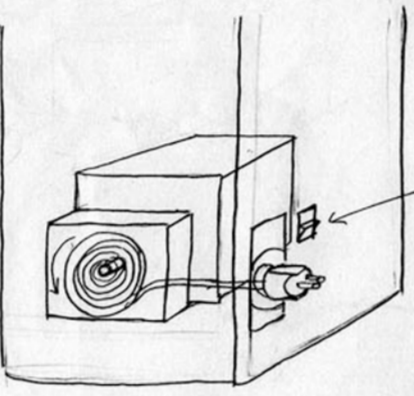
It allows the users to open the cover a little harder, but it gives a secure to them. The users need to remove the safety first and then turn the cover clock-direction to separate from the container.

The joint makes it possible to open the my food mixer's cover. The users can bend the upper part maximum to 90° by using the joint.

The display screen is connected to the motor. The electronic lines make possible to communicate between them. When the user send the message from the screen, it will reach to the motor through the electronic wires and work as what the user wanted.

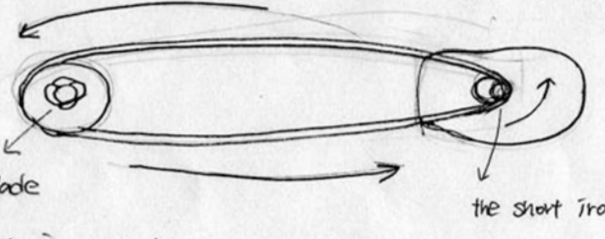
Locker
 It gives extra-stability to my food mixer as it holds tightly the container.

2



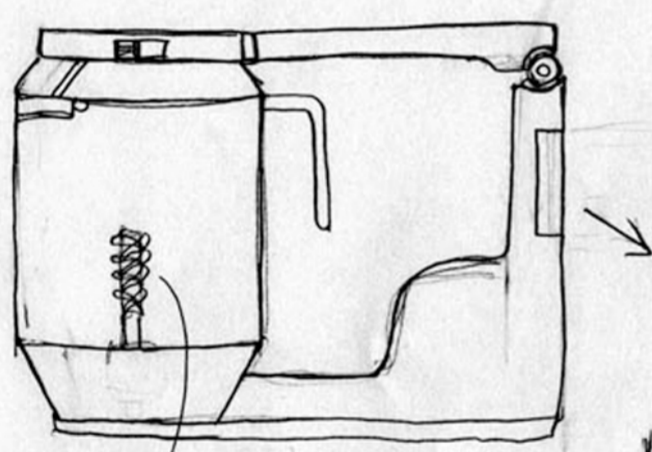
The detail of electric point

This is a button, pulling off the electric point. When the users click this button, it rolls the electronic wires automatically. The button is needed to be hold until it finishes the rolling. all the wires.



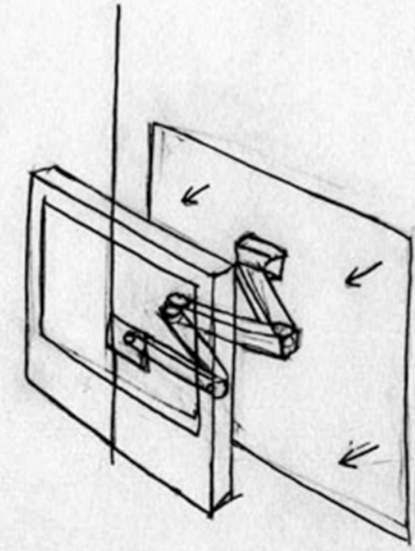
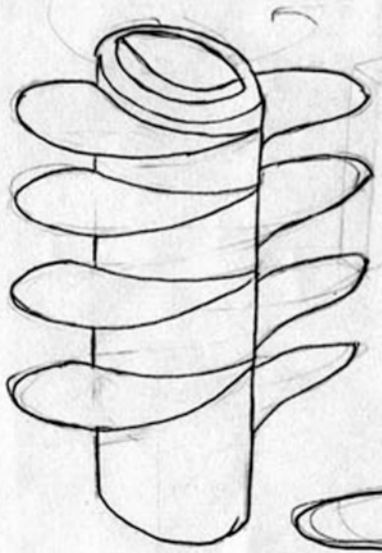
This explains how the blade mix the food. The long iron band perform as a jointer between the blade part and the motor. When the food mixer works, the short iron spins. As it spins, the blade part also spins because the rubber band connected them together.

Side view



The blade

Overall view



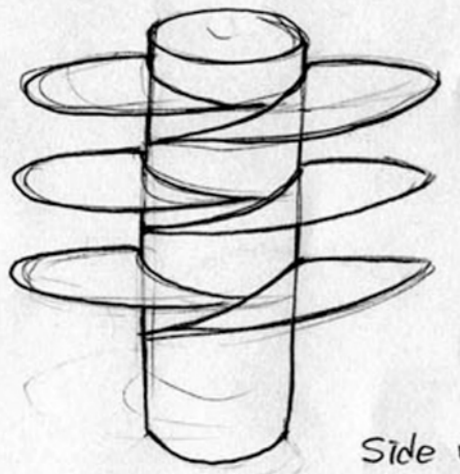
The users can separate the screen from the main body part so they can use it at every different angles. The extender makes it possible to move the screen freely. It's made up by many different parts, and the joints give them a flexibility which allow to extend and fold.

At the bottom side of the food mixer, it's all covered by a rubber band. This gives a stability and the food mixer. It also prevent to get damaged on the surface of the food mixer.

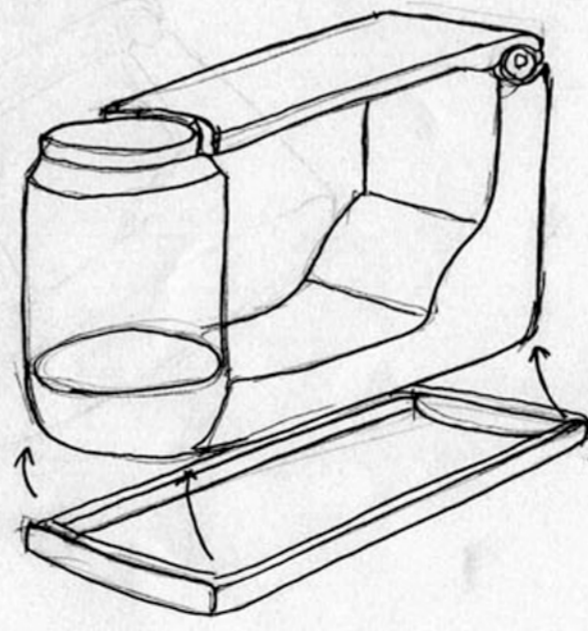
Plan view



Side view

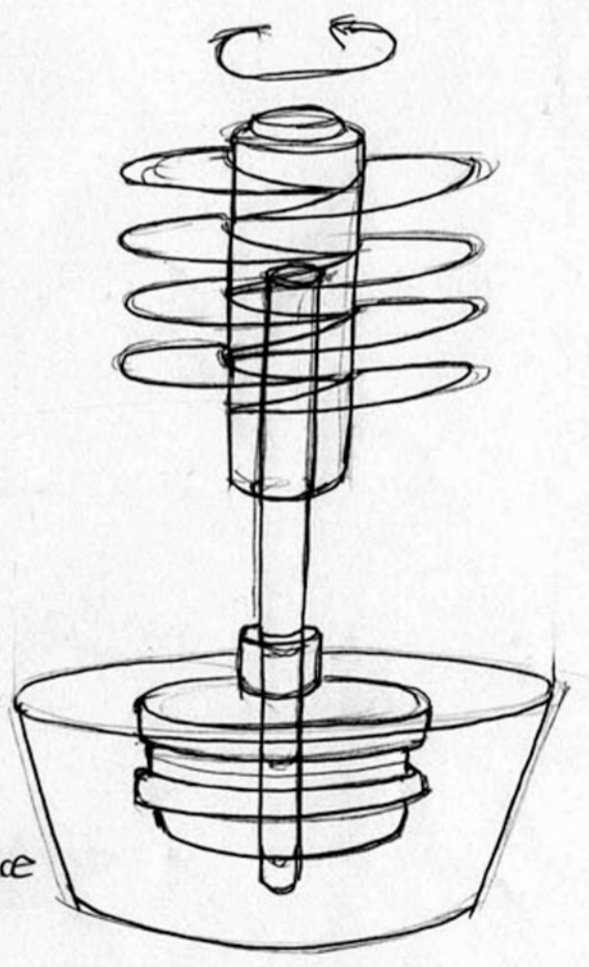


3



rubber band the blade.

This is a blade which I have designed for my food processor. The blade will be placed inside of the food container, and there are four cutting wings at the each sides of



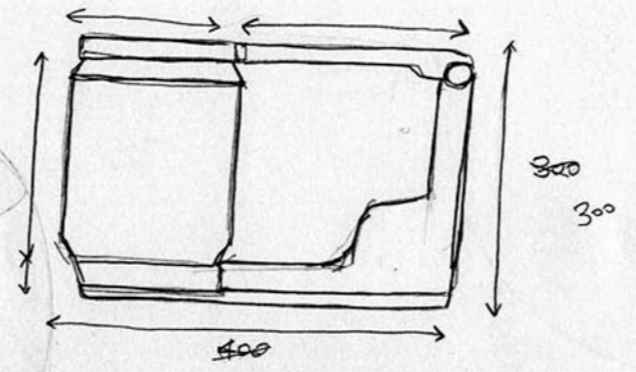
Development 3

This food mixer is chargeable. It's aspect says that the users don't need to be bothered by electronic wires. They can charge it through the wire (which the food mixer has), and they put it on the places they want, for example outside of the house. There is a system of rolling the wires inside of the food mixer so the users don't need to worry about carrying the wires with them.

The colour = /

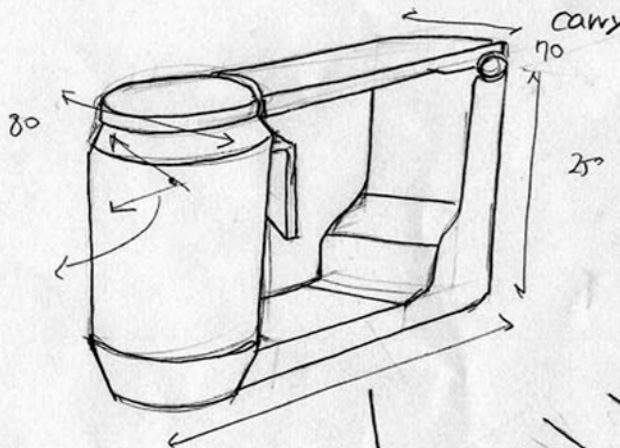


The size



The handle

This is the handle which it is going to be placed at the food container. It has designed to consider people's grip. You can see the curved lines which it gives a comfort and tight-hold when they grip the handle. In general the design is modernistic and quite simple.



This drawing shows a bottom side of my food processor. If there is a problem with the motor or iron band stuck inside, the users can fix it as far as damage is not big. To have a look inside of it, the users need to remove the rubber hobler and then all the volts. This whole idea suggest that this food mixer can be fixed so the users don't need to buy new one.

