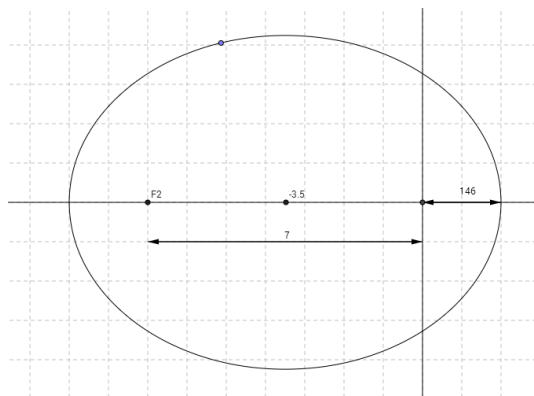


Earth



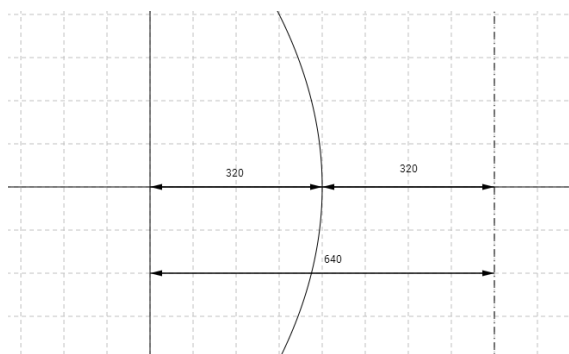
$$\frac{(x+3.5)^2}{149.5^2} + \frac{y^2}{b^2} = 1$$

$$b^2 = a^2 - c^2 \quad b^2 = 149.5^2 - 3.5^2 \\ = 22350.25 - 12.25 = 22338$$

$$\frac{(x+3.5)^2}{149.5^2} + \frac{y^2}{22338^2} = 1$$

1

Comet



$$y^2 = -4a(x - 320)$$

$$a = 320$$

$$y^2 = -1280(x - 320)$$

2